



CLASSIC LINE

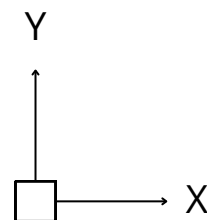
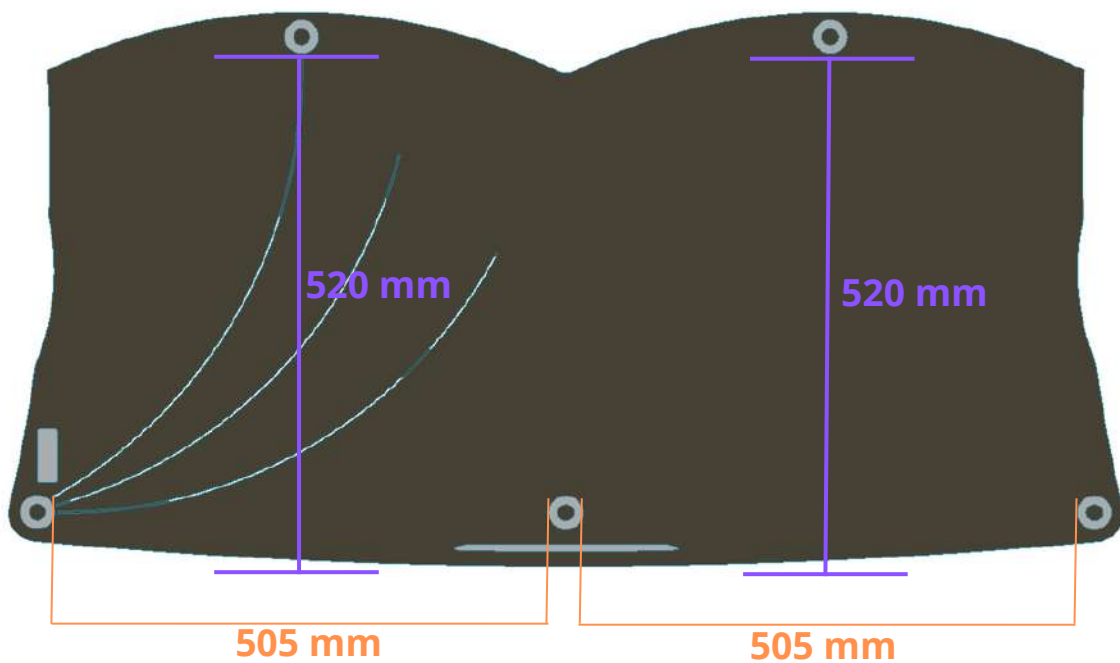
Cymbalon 2.1



Useful dimension
specifications



WE
WILL
RACK
YOU!

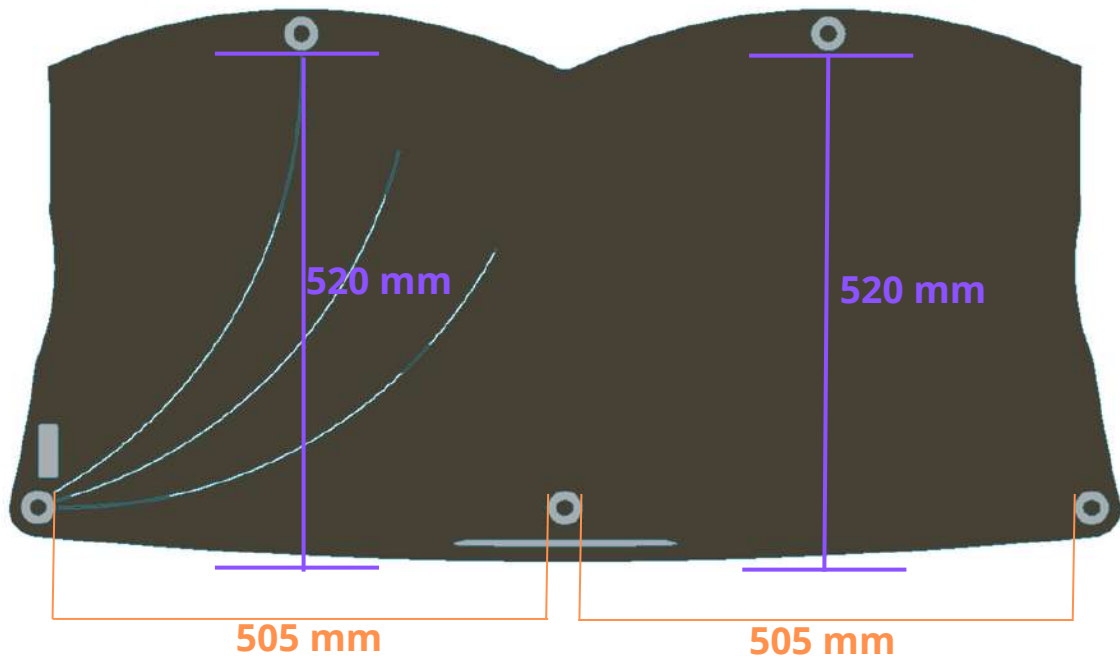


CYMBALON 2.1

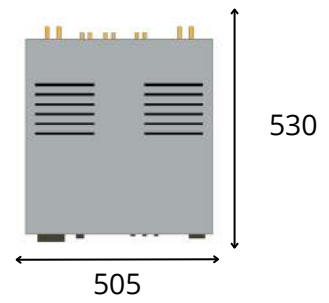
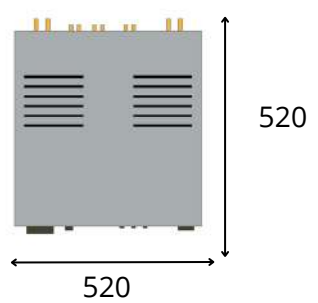
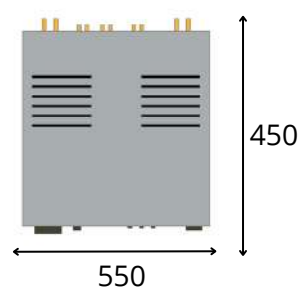
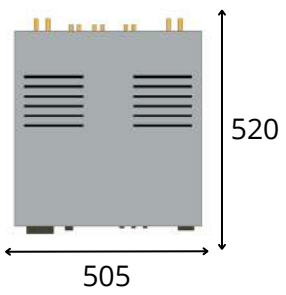


Useful Size





Electronics feet must be positioned within the following range of dimensions:
505 x 520 (w x d)





Handmade In Italy

Bassocontinuo[®]
FINE AUDIO RACKS

BASSOCONTINUO AUDIO SYSTEMS SRL

HEAD QUARTER

via Azzano San Paolo, 105/107
24050 Grassobbio (BG) - ITALY



+ 39 035 38 84 010



info@bassocontinuo.it



www.bassocontinuo.it